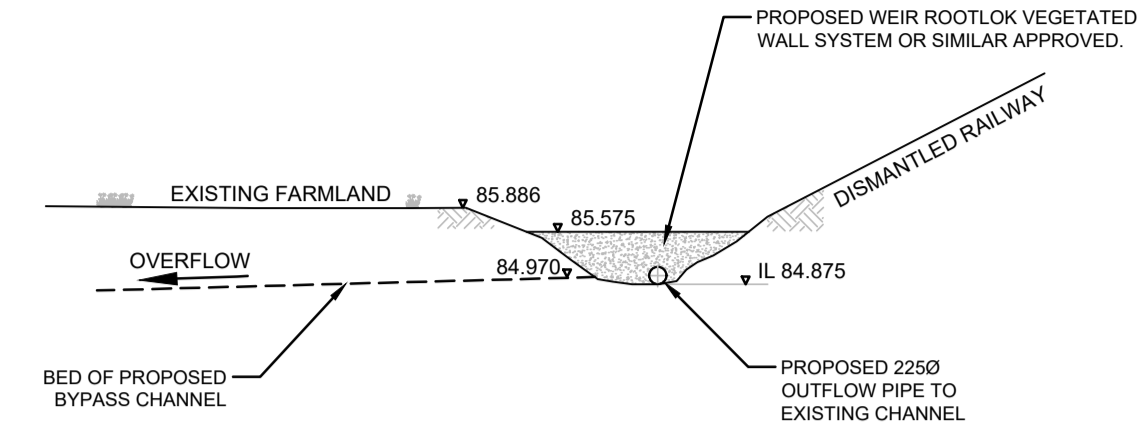
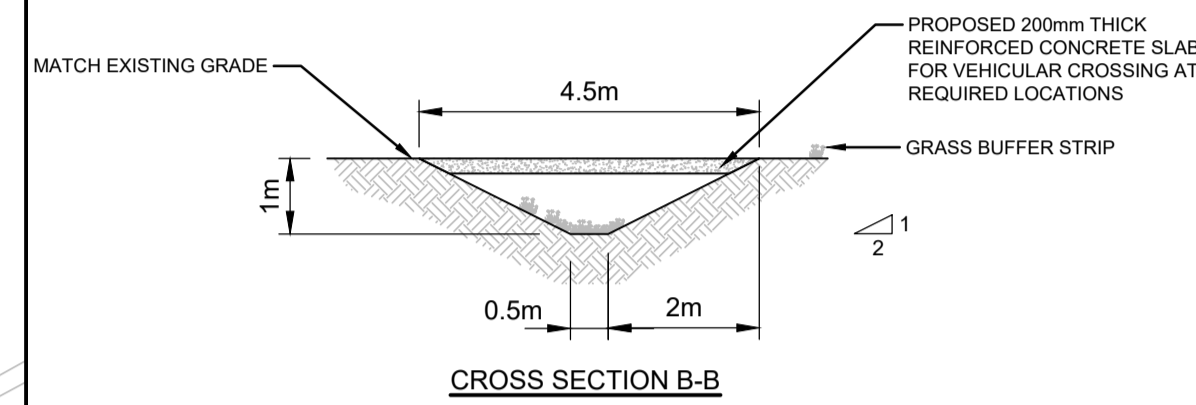


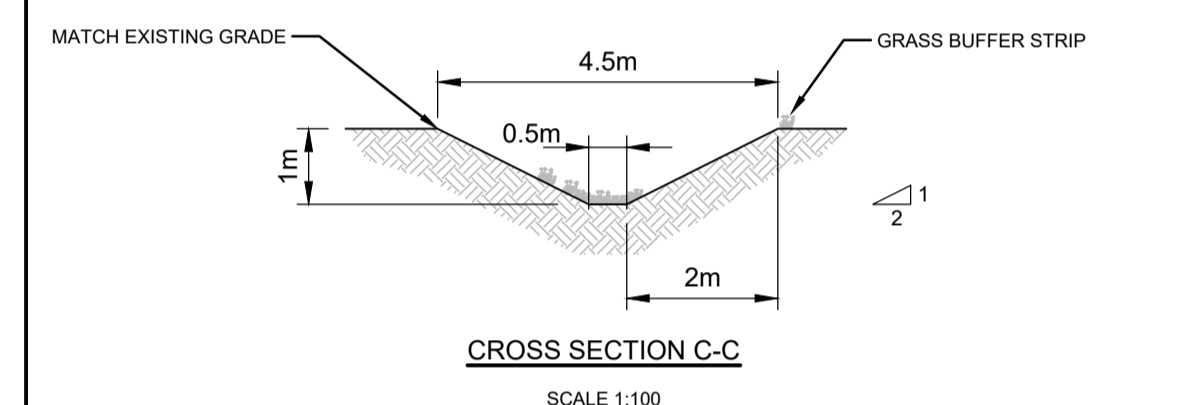
RETURN PERIOD (YEARS)	EXISTING MAXIMUM FLOOD LEVEL (mAOD)	PROPOSED MAXIMUM FLOOD LEVEL (mAOD)
2	85.430	85.628
20	85.647	85.776
100	85.784	85.862



CROSS SECTION A-A
SCALE 1:100



CROSS SECTION B-B
SCALE 1:100



CROSS SECTION C-C
SCALE 1:100

- NOTES**
- DO NOT SCALE FROM THIS DRAWING, REFER TO FIGURED DIMENSIONS ONLY.
 - ALL DIMENSIONS SHOWN ON THIS DRAWING ARE IN METRES.
 - ODYSSEY CONSULTING ENGINEERS ACCEPT NO LIABILITY FOR THE ACCURACY OF SURVEY INFORMATION AND HOUSING LAYOUT SUPPLIED BY OTHERS.
 - SURROUNDING TOPOGRAPHICAL DATA HAS BEEN PROVIDED BY MALTY LAND SURVEYS LTD DATED JUNE 2017 (DRAWING REFERENCE NUMBER 17/161/100-C).
 - ALL EXISTING SERVICE ROUTES HAVE BEEN TRANSCRIBED FROM THE RESPECTIVE UNDERTAKERS RECORDS AND AS SUCH NO RESPONSIBILITY IS ACCEPTED BY ODYSSEY FOR THE ACCURACY OF ROUTES SHOWN.
 - THE PROPOSED FLOOD ALLEVIATION SCHEME IS SUBJECT TO ONGOING DESIGN, NEGOTIATION WITH THE LAND OWNER AND THE APPROVAL OF THE ENVIRONMENT AGENCY.

- LEGEND**
- RIVER PANG
 - EXISTING CULVERTS
- SERVICES**
- WATER
 - FOUL SEWER
 - SURFACE SEWER
 - COMBINED SEWER
 - ELECTRICITY
 - ELECTRICITY OVERHEAD
 - BT
 - BT OVERHEAD
 - GIGACLEAR
 - TREE ROOT PROTECTION ZONE

FOR PLANNING PURPOSES ONLY

A	GA ADJUSTED TO SUIT FURTHER HYDRAULIC MODELLING RESULTS. ARBORICULTURAL SURVEY FINDING AND COMMENTS FROM WBC AND LANDSCAPE ARCHITECT.	CF	JH	GG	16.11.17
Rev	Amendments	Drm	Chk	App	Date

ODYSSEY

Tuscany House
White Hart Lane
Reading
Hampshire RG21 4AF

Telephone: 01256 331144
Fax: 01256 331154
E: info@odysseyconsult.co.uk
W: www.odysseyconsult.co.uk

HAMPSTEAD, NORREYS FLOOD ALLEVIATION SCHEME

GENERAL ARRANGEMENT FOR FLOOD DIVERSION CHANNEL

WEST BERKSHIRE COUNCIL

Scale	Date	Designed
1:1000 @A1	SEP 17	JH
Drawn	Checked	Approved
CF	GG	GG
Job No	Drawing No	Rev
17-120	17-120/001	A